

2. Specifications

Model	-	GWHD(36)NK600(LC)(LH)	
Product Code	-	CB228W14700	
Power Supply	Rated Voltage	V~ 220-240	
	Rated Frequency	Hz 50	
	Phases	- 1	
Cooling Capacity	kW	10.6	
Heating Capacity	kW	12	
Cooling Power Input	kW	3	
Heating Power Input	kW	3.04	
Cooling Current Input	A	13.31	
Heating Current Input	A	13.49	
Rated Power Input	kW	Cooling: 4.6 / Heating: 5.0	
Rated Current	A	Cooling: 20.41 / Heating: 21.74	
EER	W/W	3.53	
COP	W/W	3.95	
Outdoor Unit	Compressor Trademark	-	ZHUHAI LANDA COMPRESSOR CO., LTD.
	Compressor Model	-	QXFS-D280zX070C
	Compressor Refrigerant Oil Type	-	FW68DA or equivalent
	Compressor Type	-	Twin Rotary
	L.R.A	A	40
	Compressor Rated Load Amp (RLA)	A	/
	Compressor Power Input	W	2294
	Compressor Thermal Protector	-	KSD115°C HPC115/95U1
	Throttling Method	-	Electron expansion valve
	Cooling Operation Ambient Temperature Range	°C	-15~43
	Heating Operation Ambient Temperature Range	°C	-22~24
	Condenser Material	-	Aluminum Fin-copper Tube
	Condenser Pipe Diameter	mm	Φ7.94
	Rows-Fin Gap(mm)	mm	2-1.4
	Coil length (L) X Height (H) X Coil width (W)	mm	1066×792×38.1
	Fan Motor Speed (rpm) (H/M/L)	rpm	Cooling: 800 / Heating: 860
	Output of Fan Motor	W	130
	Fan Motor RLA	A	/
	Fan Motor Capacitor	μF	/
	Air Flow Volume of Outdoor Unit	m ³ /h	5800
	Fan Type-Piece	-	Axial-flow
	Fan Diameter-Height	mm	550-205
	Defrosting Method	-	Automatic Defrosting
	Climate Type	-	T1
	Isolation	-	I
	Moisture Protection	-	IPX4
	Permissible Excessive Operating Pressure for the Discharge Side	MPa	4.3
	Permissible Excessive Operating Pressure for the Suction Side	MPa	2.5
	Dimension (WXDXH)	mm	1020×427×826
	Dimension of Carton Box (LXWXH)	mm	1090×494×870
	Dimension of Package (LXWXH)	mm	1093×497×885
Net Weight	kg	72	
Gross Weight	kg	79	
Refrigerant	-	R32	
Refrigerant Charge	kg	2.4	

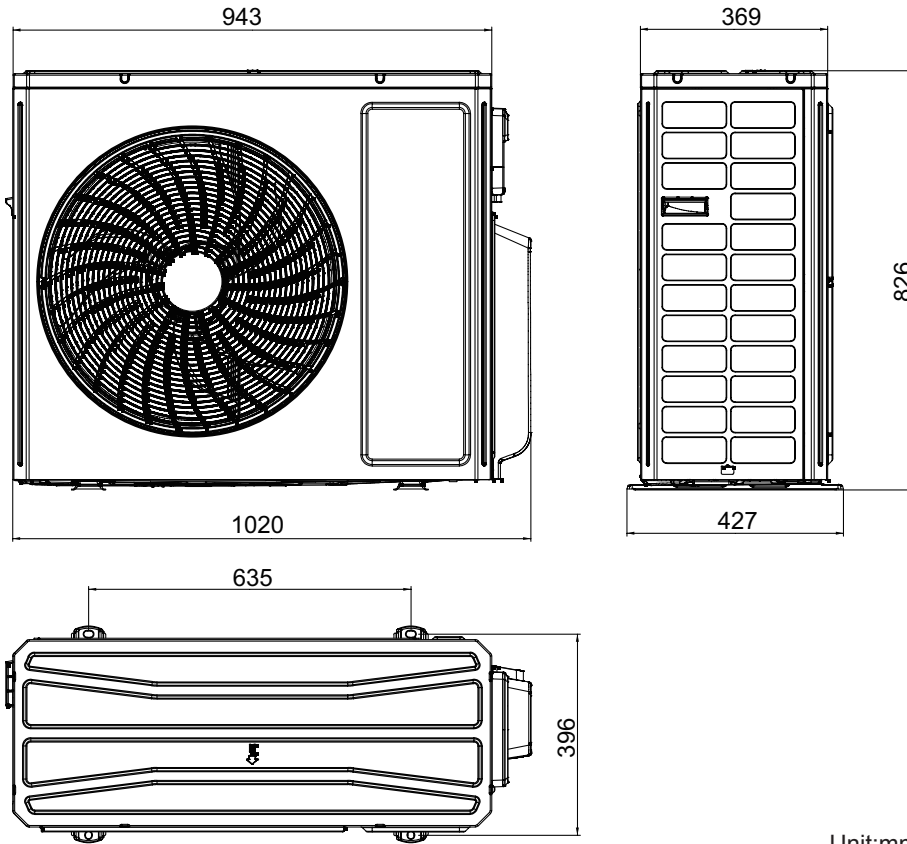
2. Specifications

Outdoor Unit	Cross-sectional Area of Power Cable Conductor	mm ²	4
	Recommended Power Cable(Core)	N	3
	Connection Pipe Connection Method	-	Flare Connection
	Not Additional Gas Connection Pipe Length	m	40
	Connection Pipe Gas Additional Charge	g/m	20
	Outer Diameter of Liquid Pipe1	inch	1/4
	Outer Diameter of Gas Pipe1	inch	3/8
	Outer Diameter of Liquid Pipe2	inch	1/4
	Outer Diameter of Gas Pipe2	inch	3/8
	Outer Diameter of Liquid Pipe3	inch	1/4
	Outer Diameter of Gas Pipe3	inch	3/8
	Outer Diameter of Liquid Pipe4	inch	1/4
	Outer Diameter of Gas Pipe4	inch	3/8
	Outer Diameter of Liquid Pipe5	inch	/
	Outer Diameter of Gas Pipe5	inch	/
	Connection Pipe Max. Height Distance (Indoor and Indoor)	m	25
	Max. equivalent connection pipe length	m	25
	Connection Pipe Max. Length Distance (total length)	m	80

The above data is subject to change without notice; please refer to the nameplate of the unit.

3. Outline Dimension Diagram

GWHD(36)NK600(LC)(LH) GWHD(36)NK600(LC)
GWHD(42)NK600(LC)(LH) GWHD(42)NK600(LC)



Unit:mm