

Model			GWH09AGC-K6DNA1P	GWH09AGC-K6DNA1F
Product Code			<b>CB385009700</b>	CB385009701
Power Supply	Rated Voltage	V~	220-240	220-240
	Rated Frequency	Hz	50	50
	Phases		1	1
Power Supply Mode			Outdoor	Outdoor
Cooling Capacity	W		2700	2700
Heating Capacity	W		3000	3000
Cooling Power Input	W		695	695
Heating Power Input	W		700	700
Cooling Current Input	A		3.1	3.1
Heating Current Input	A		3.2	3.2
Rated Input	W		1400	1400
Rated Cooling Current	A		6	6
Rated Heating Current	A		6.2	6.2
Air Flow Volume	m <sup>3</sup> /h		610/570/540/470/440/420/390	610/570/540/470/440/420/390//
Dehumidifying Volume	L/h		1.69	1.69
EER	W/W		3.89	3.88
COP	W/W		4.29	4.29
SEER			7.5	7.5
SCOP(Average/WarmerColder)			4.2/5.3/3.4	4.2/5.3/3.4
Application Area	m <sup>2</sup>		12-18	12-18
Indoor Unit	Model		GWH09AGC-K6DNA1P/I	GWH09AGC-K6DNA1F/I
	Product Code		CB385N09700	CB385N09700
	Fan Type		Cross-flow	Cross-flow
	Fan Diameter Length(DXL)	mm	Φ98×633.5	Φ98×633.5
	Cooling Speed	r/min	1200/1100/1050/950/900/850/750	1200/1100/1050/950/900/850/750
	Heating Speed	r/min	1150/1100/1050/1000/950/900/800	1150/1100/1050/1000/950/900/800
	Fan Motor Power Output	W	20	20
	Fan Motor RLA	A	0.31	0.31
	Fan Motor Capacitor	μF	1.5	1.5
	Evaporator Form		Aluminum Fin-copper Tube	Aluminum Fin-copper Tube
	Evaporator Pipe Diameter	mm	Φ5	Φ5
	Evaporator Row-fin Gap	mm	2-1.4	2-1.4
	Evaporator Coil Length (LXDXW)	mm	634×22.8×304.8	634×22.8×304.8
	Swing Motor Model		MP24BA/MP24AK/MP24HF	MP24BA/MP24AK/MP24HF
	Swing Motor Power Output	W	1.5/1.5/1.5	1.5/1.5/1.5
	Fuse Current	A	3.15	3.15
	Sound Pressure Level	dB (A)	Cooling:38/36/34/31/29/27/25 Heating:38/37/35/34/32/29/28	Cooling:38/36/34/31/29/27/25 Heating:38/37/35/34/32/29/28
	Sound Power Level	dB (A)	Cooling:54/48/46/43/42/39/37 Heating:56/49/47/46/44/41/40	Cooling:54/48/46/43/42/39/37 Heating:56/49/47/46/44/41/40
	Dimension (WXHXD)	mm	825X293X196	825X293X196
	Dimension of Carton Box (LXWXH)	mm	870X349X257	870X349X257
Dimension of Package (LXWXH)	mm	875X365X268	875X365X268	
Net Weight	kg	9.5	9.5	
Gross Weight	kg	11.5	11.5	

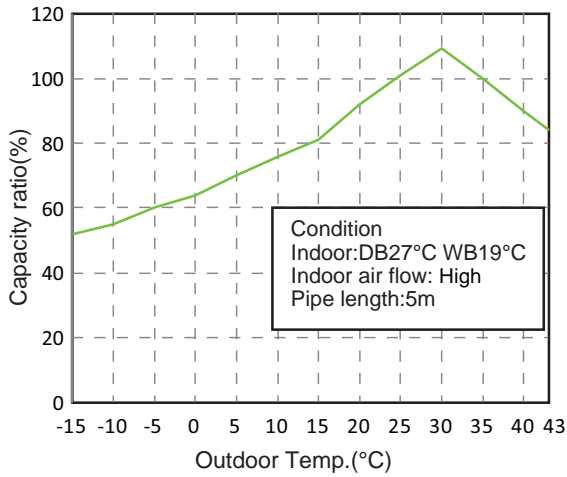
Outdoor Unit	Outdoor Unit Model		GWH09AFC-K6DNA2P/O	GWH09AFC-K6DNA2F/O
	Outdoor Unit Product Code		CB363W02900	CB363W02901
	Compressor Manufacturer		ZHUHAI LANDA COMPRESSOR CO.,LTD	ZHUHAI LANDA COMPRESSOR CO.,LTD
	Compressor Model		QXF-A082zC170	QXF-A082zC170
	Compressor Oil		ZE-G;ES RB68GX or equivalent	ZE-G;ES RB68GX or equivalent
	Compressor Type		Rotary	Rotary
	Compressor LRA.	A	15	15
	Compressor RLA	A	2.56	2.56
	Compressor Power Input	W	756.6	756.6
	Compressor Overload Protector		/	/
	Throttling Method		Capillary	Capillary
	Set Temperature Range	°C	16~30	16~30
	Cooling Operation Ambient Temperature Range	°C	-15~50	-15~50
	Heating Operation Ambient Temperature Range	°C	-15~30	-25~30
	Condenser Form		Aluminum Fin-copper Tube	Aluminum Fin-copper Tube
	Condenser Pipe Diameter	mm	Φ7	Φ7
	Condenser Rows-fin Gap	mm	1-1.2	1-1.2
	Condenser Coil Length (LXDXW)	mm	666×19.05×527	666×19.05×527
	Fan Motor Speed	rpm	900	900
	Fan Motor Power Output	W	30	30
	Fan Motor RLA	A	0.4	0.4
	Fan Motor Capacitor	μF	/	/
	Outdoor Unit Air Flow Volume	m <sup>3</sup> /h	1950	1950
	Fan Type		Axial-flow	Axial-flow
	Fan Diameter	mm	400	400
	Defrosting Method		Automatic Defrosting	Automatic Defrosting
	Climate Type		T1	T1
	Isolation		I	I
	Moisture Protection		IPX4	IPX4
	Permissible Excessive Operating Pressure for the Discharge Side	MPa	4.3	4.3
	Permissible Excessive Operating Pressure for the Suction Side	MPa	2.5	2.5
	Sound Pressure Level	dB (A)	50	50
	Sound Power Level	dB (A)	61	61
Dimension(WXHXD)	mm	732X555X330	732X555X330	
Dimension of Carton Box (LXWXH)	mm	791X373X590	791X373X590	
Dimension of Package(LXWXH)	mm	794X376X615	794X376X615	
Net Weight	kg	24.5	24.5	
Gross Weight	kg	27	27	
Refrigerant		R32	R32	
Refrigerant Charge	kg	0.53	0.53	
Connection Pipe	Connection Pipe Length	m	5	5
	Connection Pipe Gas Additional Charge	g/m	16	16
	Outer Diameter Liquid Pipe		1/4"	1/4"
	Outer Diameter Gas Pipe		3/8"	3/8"
	Max Distance Height	m	10	10
	Max Distance Length	m	15	15
	Note: The connection pipe applies metric diameter.			

The above data is subject to change without notice. Please refer to the nameplate of the unit.

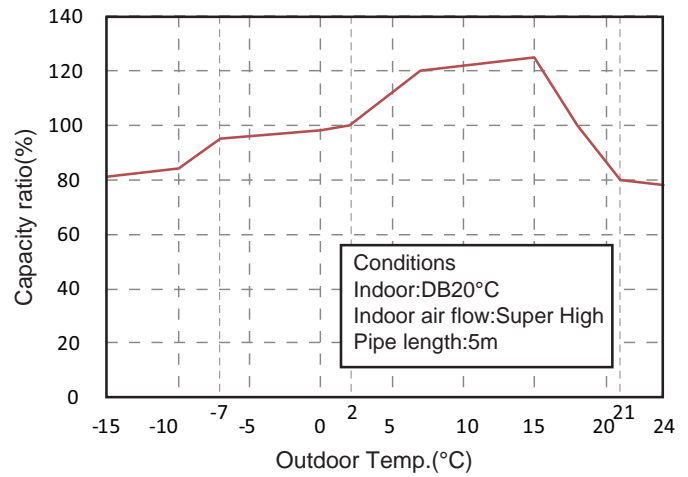
## 2.2 Capacity Variation Ratio According to Temperature

### GWH07AGA-K6DNA1A

Cooling



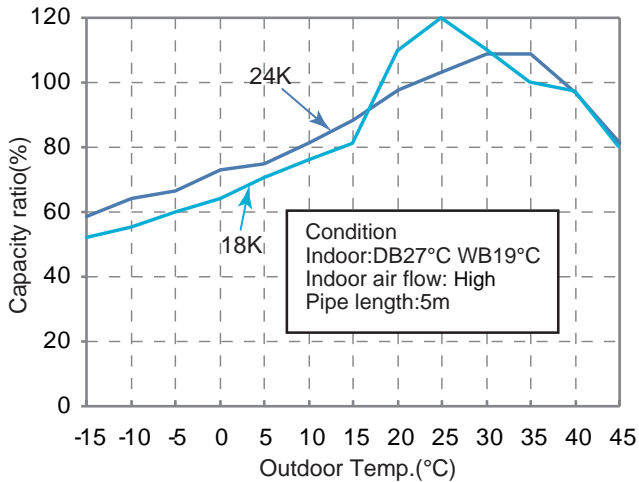
Heating



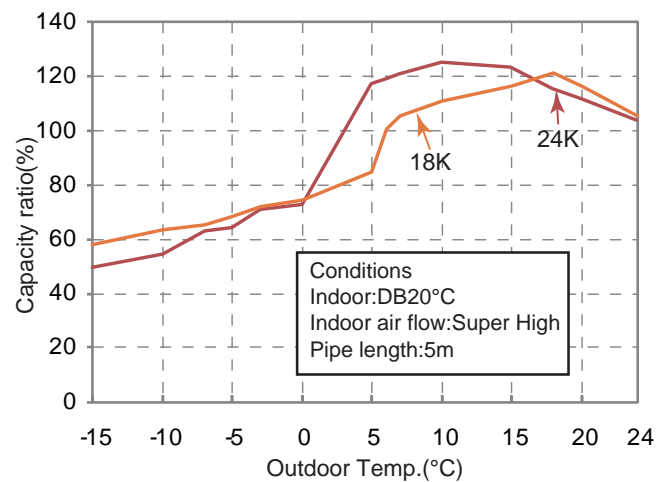
### GWH18AGD-K6DNA1D GWH18AGDXB-K6DNA2D GWH18AGD-K6DNA4D GWH24AGD-K6DNA1C GWH24AGD-K6DNA4C

Heating operation ambient temperature range is -15°C~24°C

Cooling

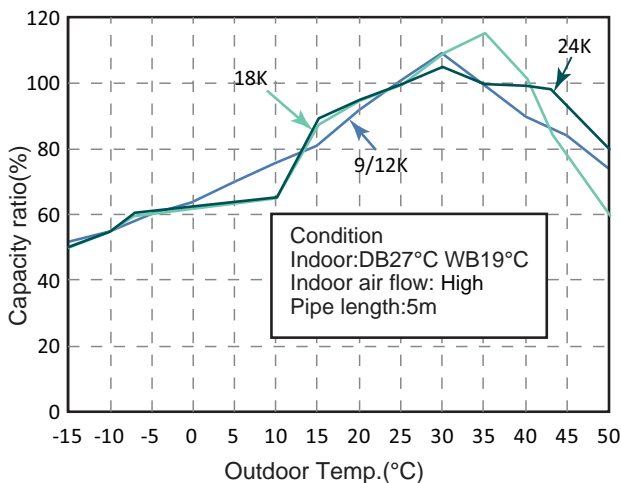


Heating

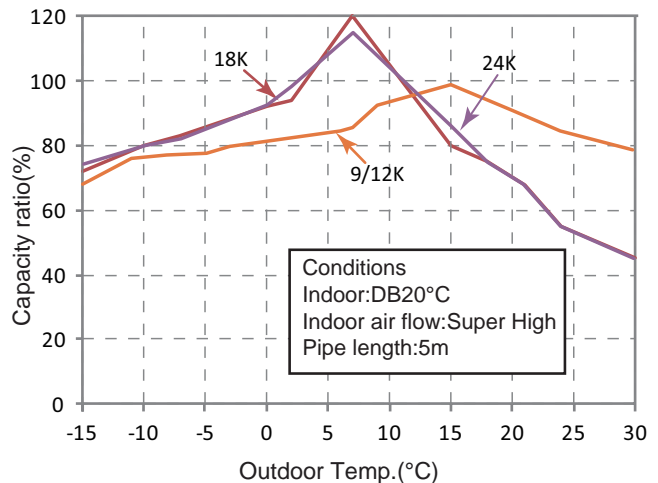


Heating operation ambient temperature range is -15°C~30°C

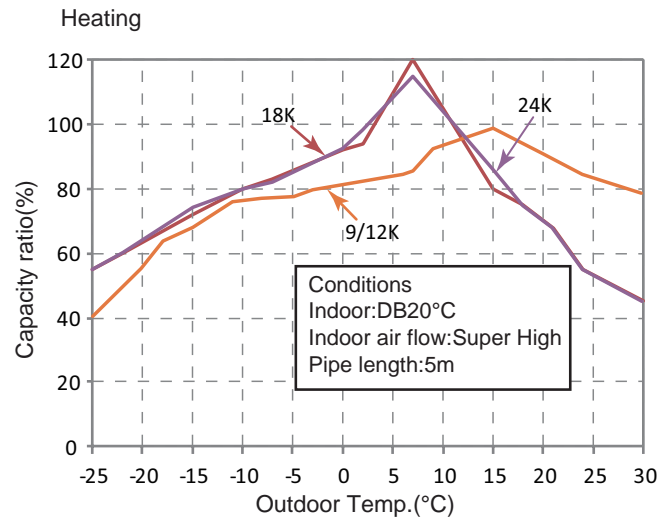
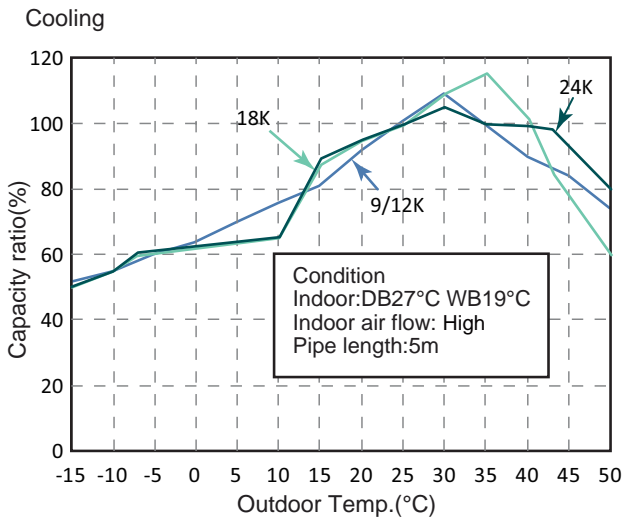
Cooling



Heating



Heating operation ambient temperature range is -25°C~30°C



## 2.3 Cooling and Heating Data Sheet in Rated Frequency

Cooling:

Rated cooling condition(°C) (DB/WB)		Model	Pressure of gas pipe connecting indoor and outdoor unit P (MPa)	Inlet and outlet pipe temperature of heat exchanger		Fan speed of indoor unit	Fan speed of outdoor unit
Indoor	Outdoor			T1 (°C)	T2 (°C)		
27/19	35/24	7/9K	0.8~1.1	12 ~ 15	65 ~ 38	Super High	High
27/19	35/24	12K	0.9~1.1	12 ~ 14	75 ~ 37	Super High	High
27/19	35/24	18K	0.9~1.1	12 ~ 14	75 ~ 37	Super High	High
27/19	35/24	24K	0.9~1.1	12 ~ 14	75 ~ 37	Super High	High

Heating:

Rated heating condition(°C) (DB/WB)		Model	Pressure of gas pipe connecting indoor and outdoor unit P (MPa)	Inlet and outlet pipe temperature of heat exchanger		Fan speed of indoor unit	Fan speed of outdoor unit
Indoor	Outdoor			T1 (°C)	T2 (°C)		
20/-	7/6	7/9K	2.8~3.2	63 ~ 35	2 ~ 5	Super High	High
20/-	7/6	12K	2.2~2.4	70 ~ 35	2 ~ 4	Super High	High
20/-	7/6	18K	2.2~2.4	70 ~ 40	1 ~ 5	Super High	High
20/-	7/6	24K	2.2~2.4	70 ~ 35	2 ~ 4	Super High	High

### Instruction:

T1: Inlet and outlet pipe temperature of evaporator

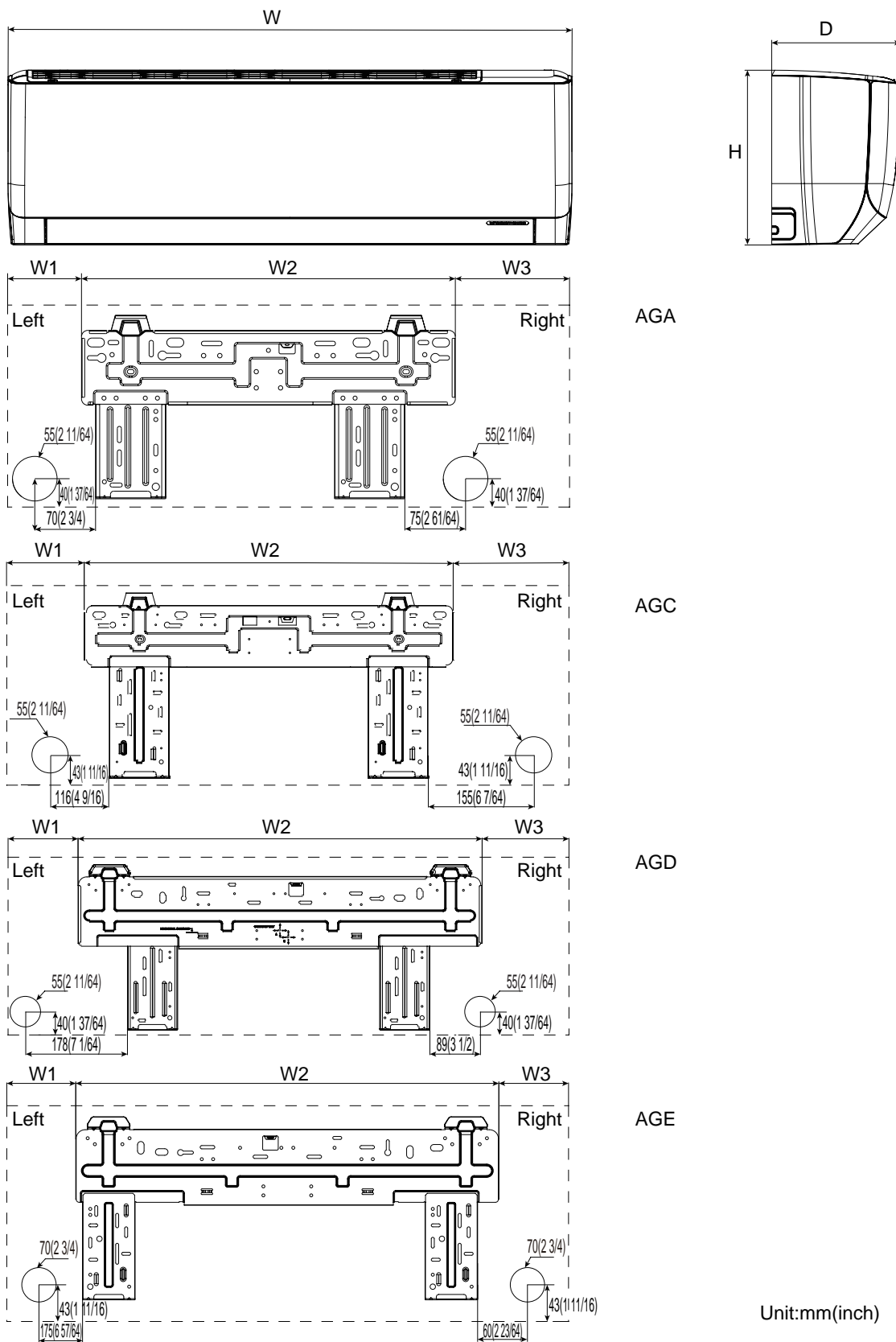
T2: Inlet and outlet pipe temperature of condenser

P: Pressure at the side of big valve

Connection pipe length: 5 m.

# 3. Outline Dimension Diagram

## 3.1 Indoor Unit



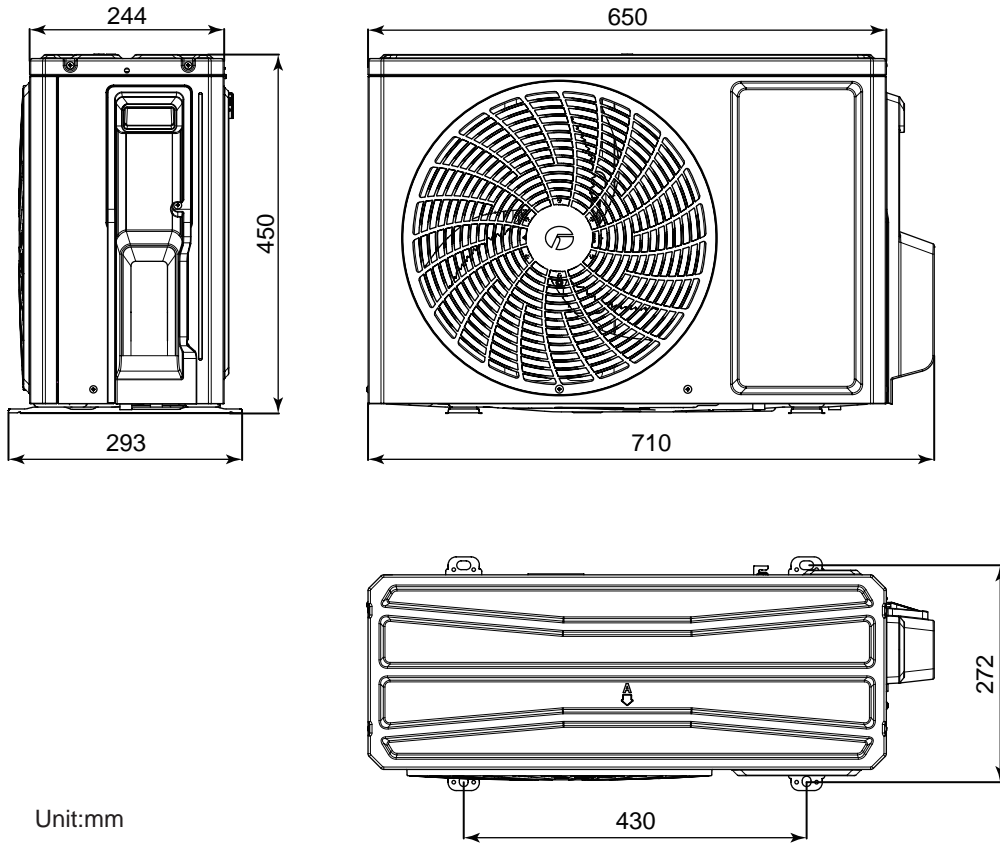
Unit:mm(inch)

Model	W	H	D	W1	W2	W3
AGA	704	260	185	93	462	149
AGC	825	293	196	113	542	170
AGD	982	311	221	122.5	707.5	152
AGE	1075	333	246	184	707.5	183.5

Unit:mm

## 3.2 Outdoor Unit

GWH07AGA-K6DNA1A/O



GWH09AFC-K6DNA2P/O GWH12AFC-K6DNA2P/O GWH18AGD-K6DNA1P/O GWH12AGCXB-K6DNA1E/O

